

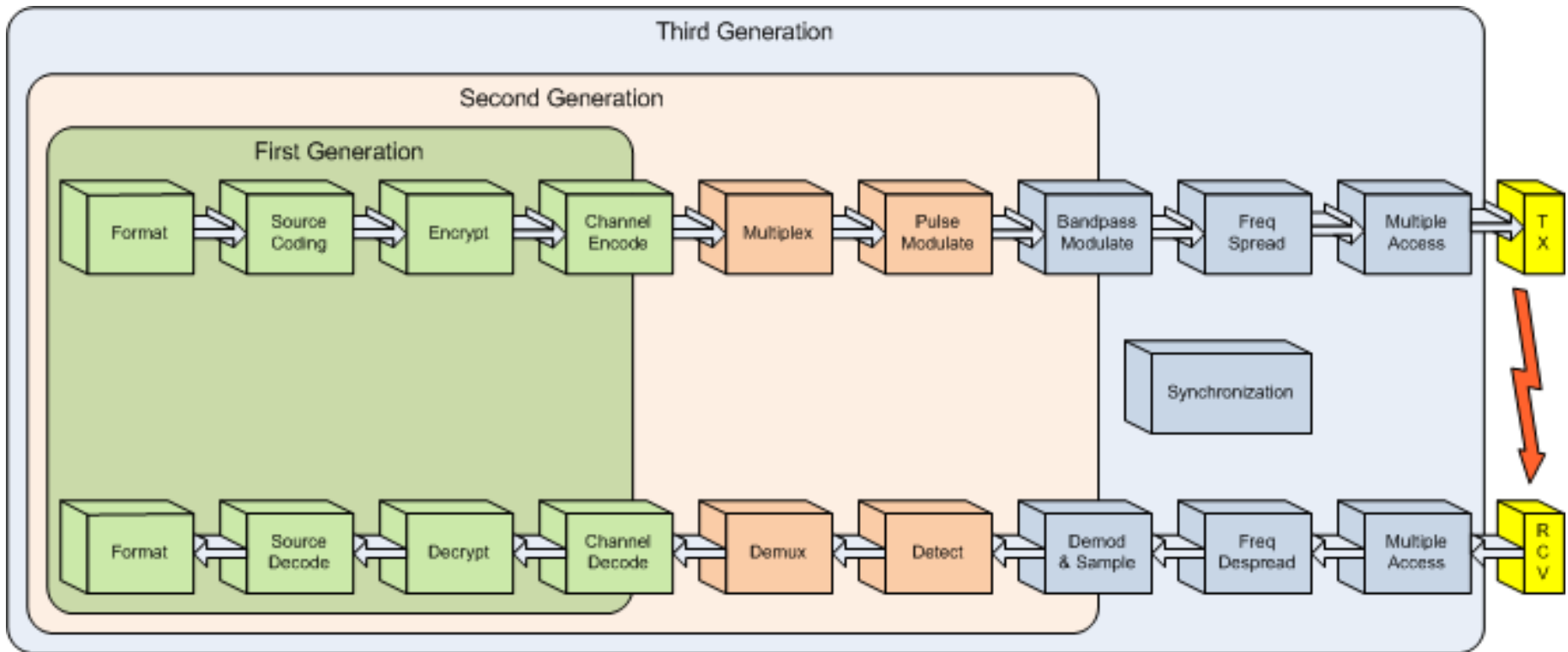
New Direction for Digital Signal Processing



Glenn R. Johnson P.E.
System Architect

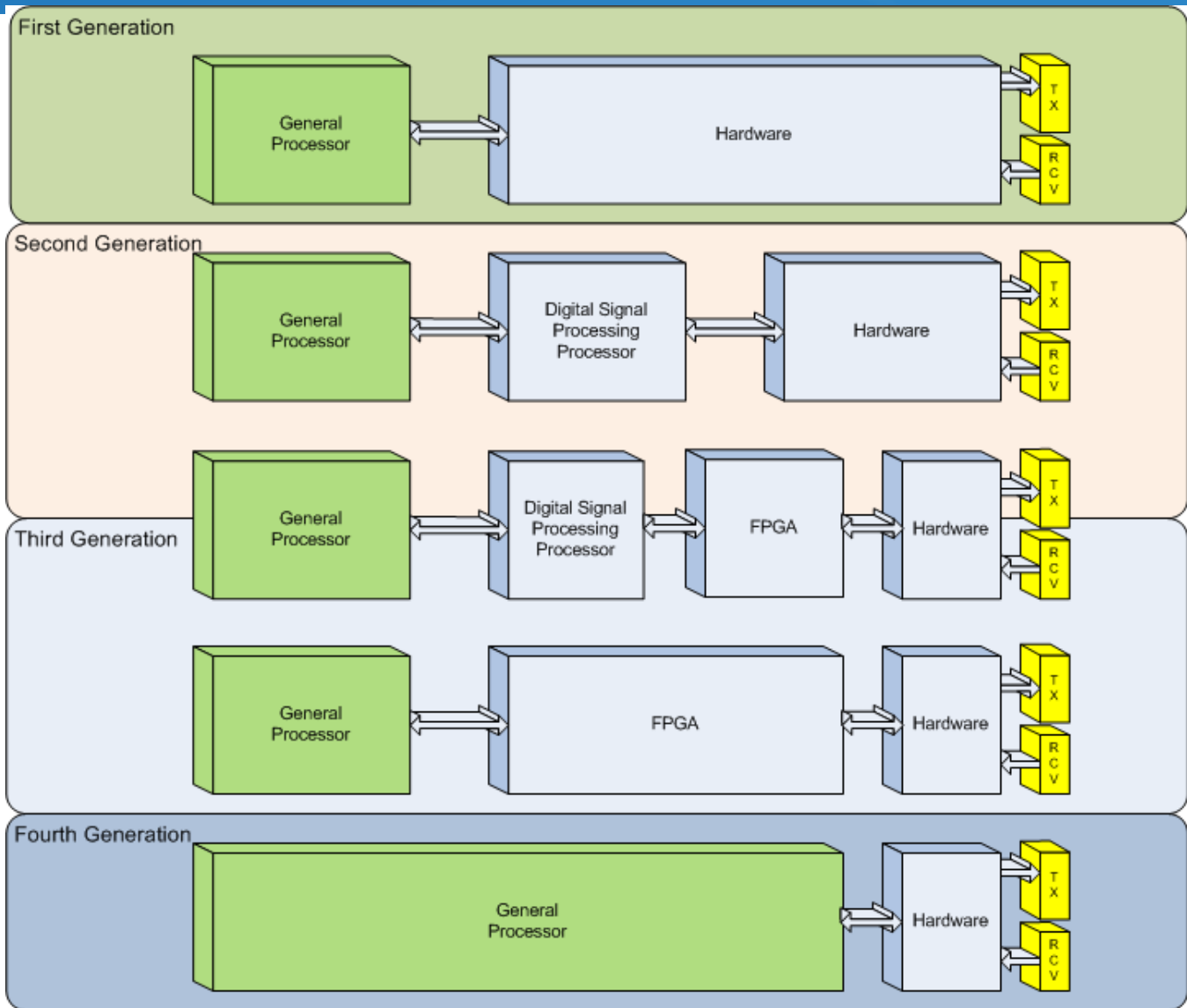
- » The emphasis on this presentation is the lower production volume Digital Signal Processing applications.
- » High volume, small applications such as cell phones where board real-estate can take advantage of Applications Specific Integrated Circuits (ASIC). These platforms the high cost of development is amortized over a huge production volume

- » First Generation; General Processors performed source and channel coding.
- » Second Generation; DSP Processors performed math intensive algorithms.
- » Third Generation; FPGA allowed math intensive algorithms to be pipelined and divided into parallel processing.
- » Fourth Generation; General processors can perform pipelined math intensive algorithms with parallel processing threads and scalable architectures.



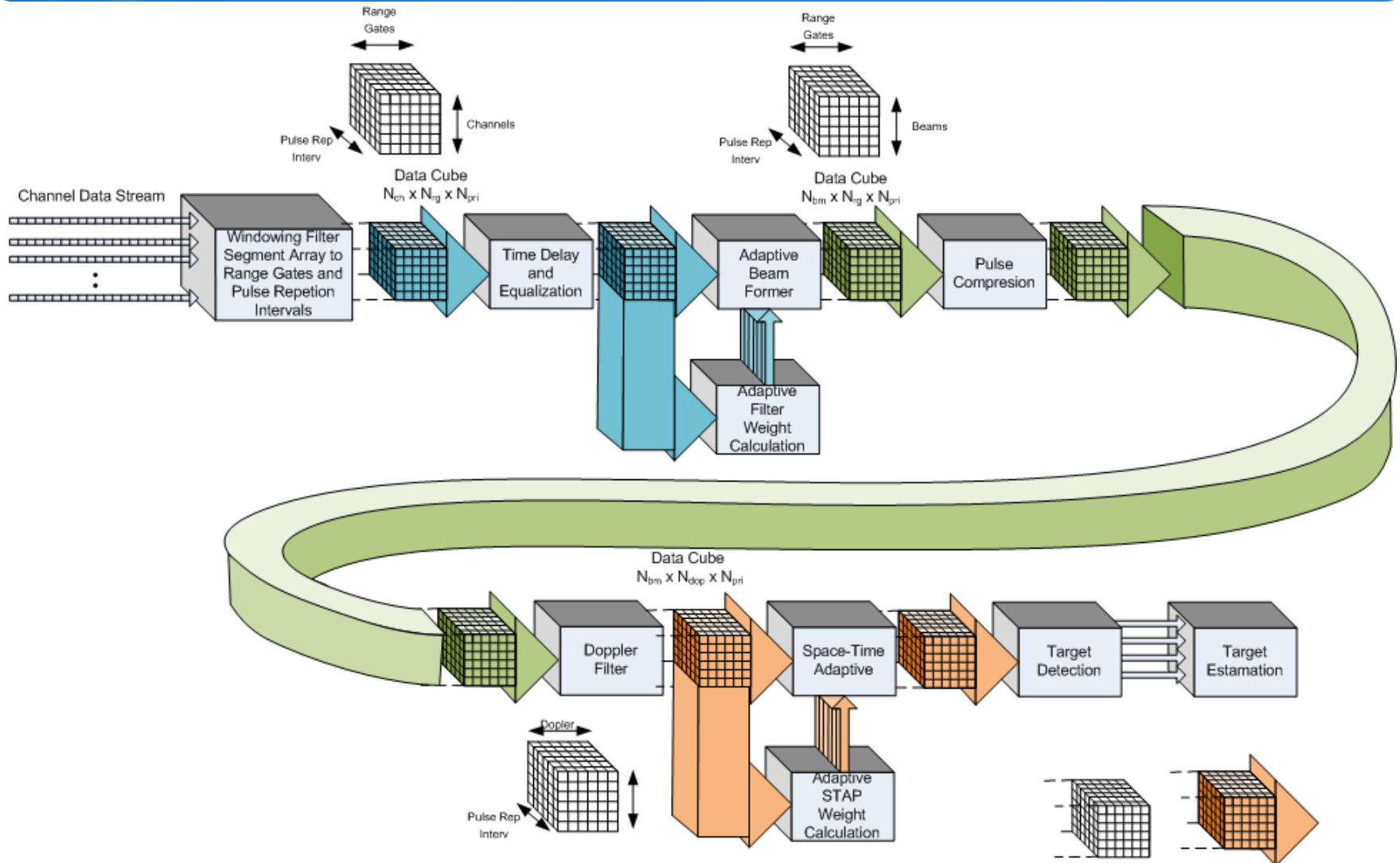
Note: Similar block diagrams illustrate Sonar and Radar applications.

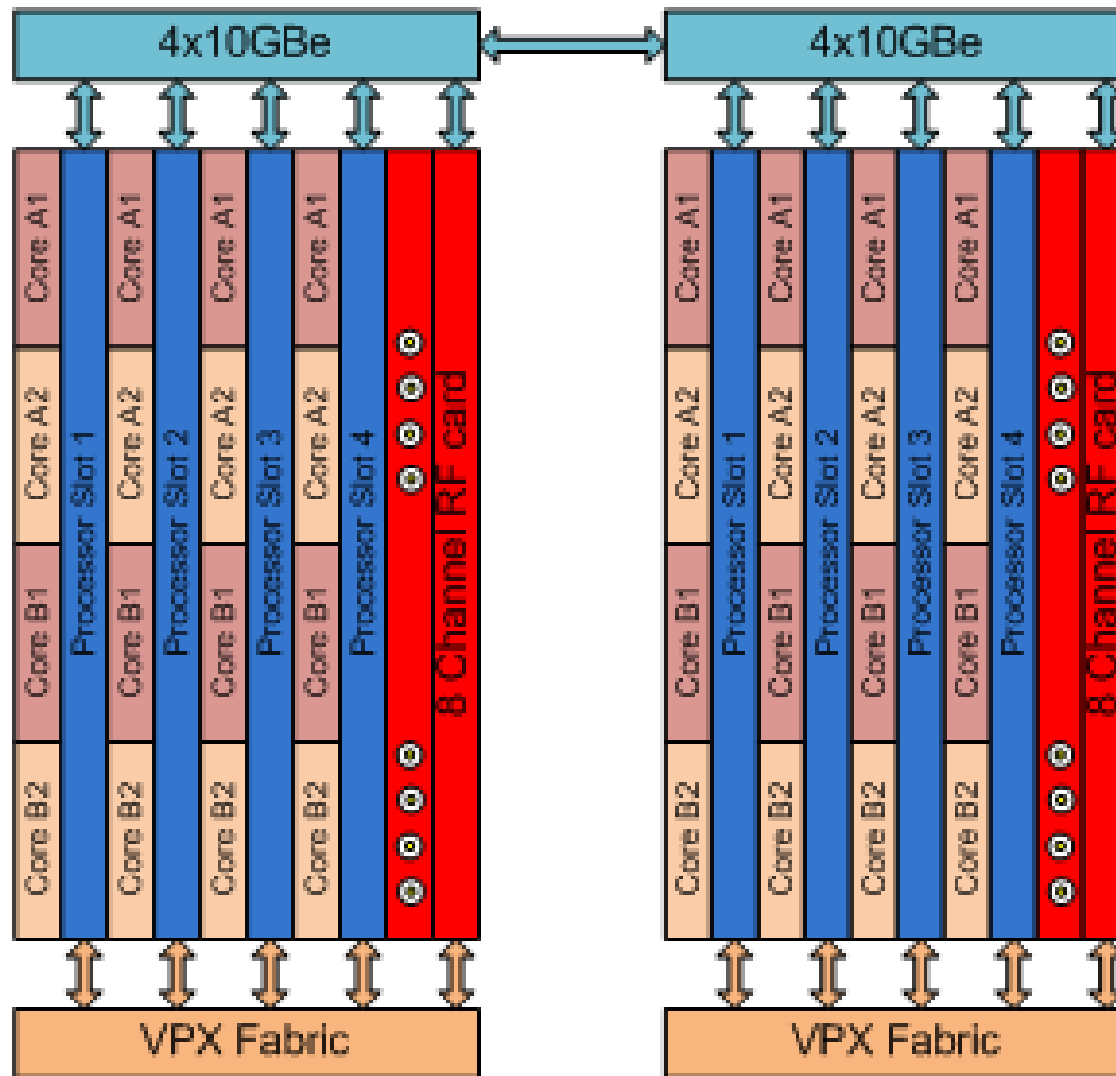
Block Diagrams of DSP systems



- » Consumer markets have demanded faster, more powerful and efficient processors.
 - Memory Caches
 - Instruction pipe lines
 - Branch prediction
 - Single instruction multiple data
 - Single clock math primitives
 - Multi-threading
 - Multi-core processors

Processing Block Diagram for Radar





- » Scale of economy has developed affordable and powerful processors
- » A Single software team and one configuration management system
- » Does not require special software skills
- » Scalable to the application
- » General processor manufactures have maintained continuity in newer products. Code will not become obsolete with new processor releases.
- » Lower developmental cost
- » Lower reoccurring cost.

Thank you
for your attention



www.kontron.com

Munich/Eching Kaufbeuren Deggendorf San Diego Columbia Fremont Montreal Beijing Penang Sydney
Bangalore Moscow Warsaw Kiev Tel Aviv Liberec/Pilsen Chichester Copenhagen Brussels Toulon Solothurn