

# VITA 57 : A dual use technology by excellence

www.techway.eu



01 02 03 04 05

TechwayY  
La voie de l'innovation

## Embedded Tech Trends 2014

*Phoenix, AZ, USA - January 2014 –*

Author : [Patrick.Mechin@techway.fr](mailto:Patrick.Mechin@techway.fr) , President

01 02 03 04 05 06 07 08 09 010 011 012 013 + + + +

+ + + +

+ +

**FMC can be more than a flexible I/O standard for FPGA processor.**

**The Vita 57 technology enables new business by its capacity to reduce the cost of the design.**

**Low volume and/or industrial price sensitive market can start “think” FPGA**

## PCIe FPGA Platform

- ❑ FMC (VITA 57) interface
- ❑ Software Kit under Linux & Windows
- ❑ Stand Alone
- ❑ Xilinx Kintex 7 Technology



## High Speed Comm FMCs



## Smart Racks



- ❑ Analog Data Acq & Proc.
- ❑ Digital Data Acq. & Proc.
- ❑ Web & SNMP Command/CRTL

# FMC, 2 years ago...

## □ The promises

- Forecasting FMC adoption and promising market
- Growing ecosystems of both FMC and Carrier manufacturers

## □ The drivers

- FMC are easy to design
- FMC offer low latency & high bandwidth

# FMC, 2 years ago...

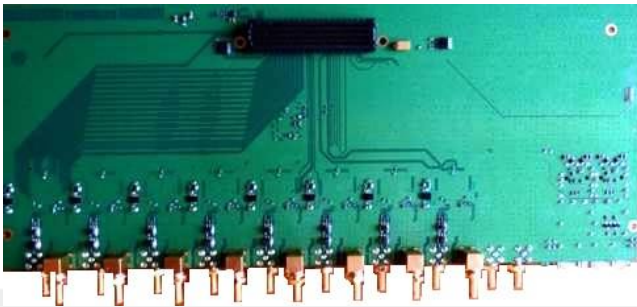


## □ Limits of the concept

- Limited real estate
- Limited front panel real estate
- Matching the parallel I/O of the mezzanine with the carrier, in particular with very high speed signals.

## □ Posting a warning

- Integrating a multivendor Carrier + FMC cards would in any case require careful and dedicated FPGA design



# What happens ?

## □ Large Industry adoption

- The challenge to integrate a new « FMC » onto a known carrier is largely balanced by the benefit we can do in reusing all the FPGA Carrier firmware , IP and drivers

## □ We have decided to push further these benefits

# VITA 57 for industrial applications

- 1. The cost of firmware is often a stopper to think FPGA in the industry, especially with in project with small production.**
- 2. The FMC offer the possibility to design industrial embedded with reuse of hardware, firmware and software IPs.**

# Example : Vita 57 in Smart Rack

- ❑ 19", 1U
- ❑ Multiple ADC
- ❑ Multiple SFP
- ❑ Trigger signal
- ❑ Clock signal
- ❑ Kintex 7 FPGA processing
- ❑ 10 GEth interfaces for Data transmission
- ❑ SNMP/WEB for CMD/CTRL
- ❑ SNMP API
- ❑ WEB interface

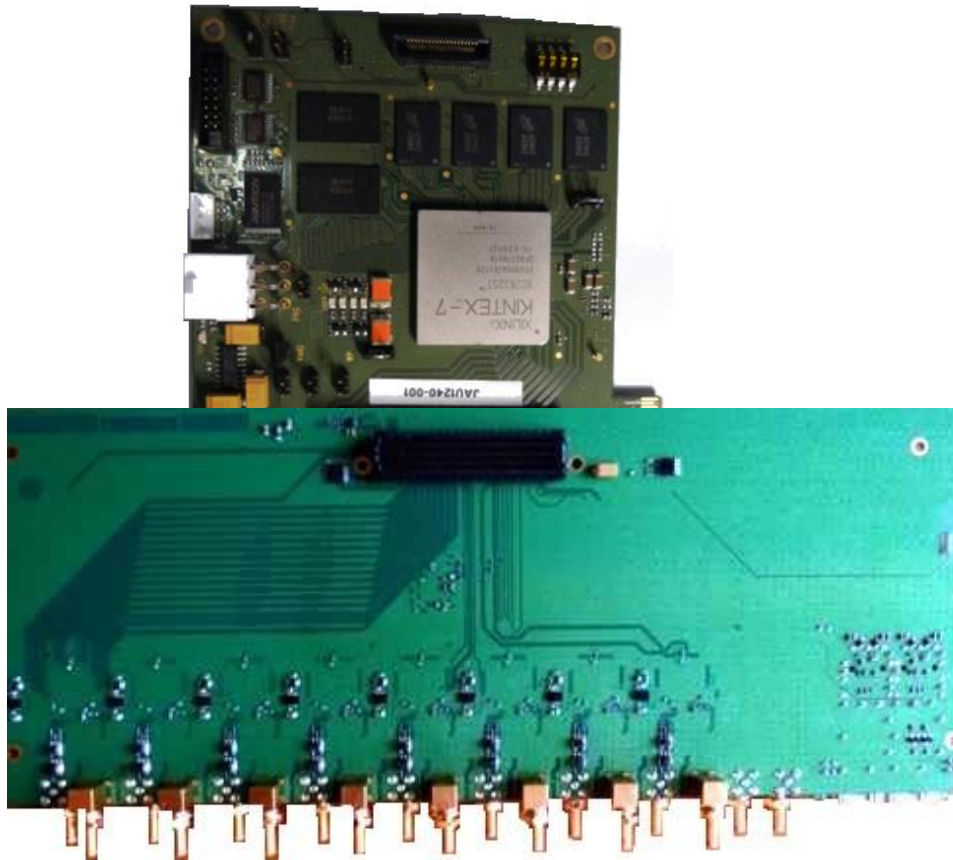




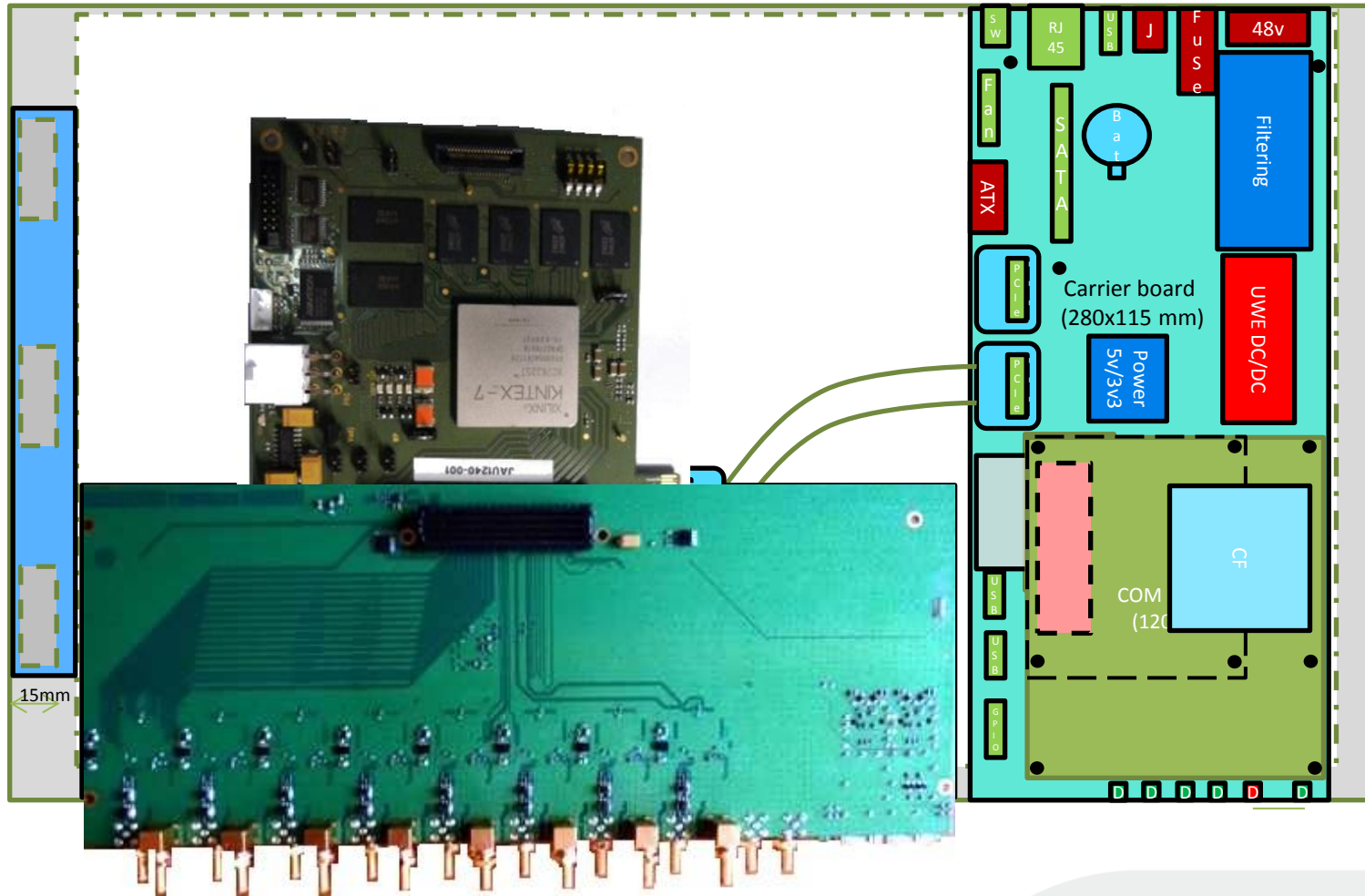
# Example : Vita 57 in Smart Rack



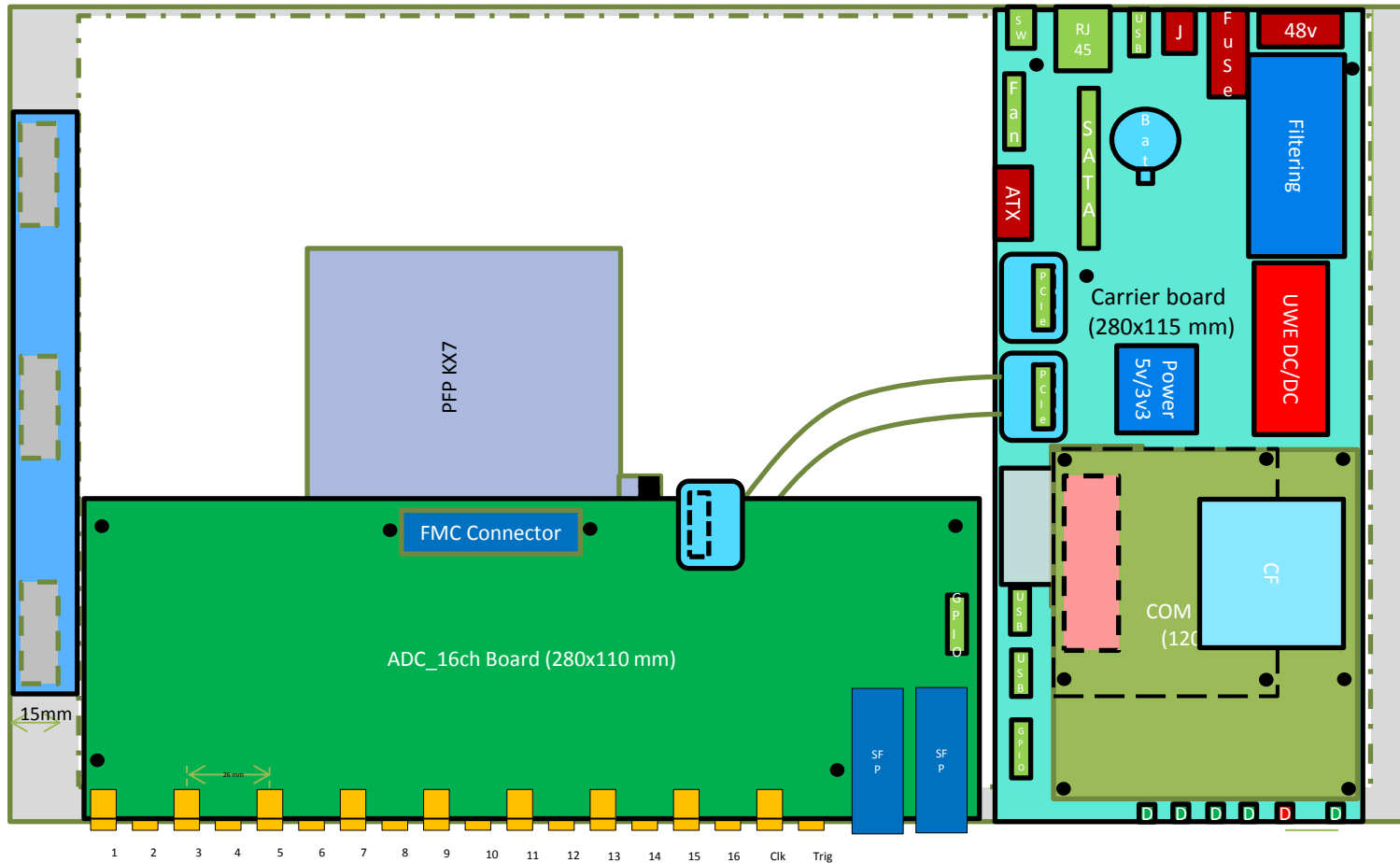
# Example : Vita 57 in Smart Rack



# Example : Vita 57 in Smart Rack



# Example : Vita 57 in Smart Rack



# Conclusion : New opportunities for your IPs

- ❑ **The smart cabinets**  
Civilian radar at European Spatial Agency and  
Arinc818 switches in Avionic (Airbus, US Army)
- ❑ **The PFP + customer specific FMC**  
Radio/GPS debugging and Telecom equipment (GPON analyzer)
- ❑ **PFP + CoaXpress FMC**  
Advanced Vision applications for high resolution, high speed  
cameras
- ❑ **In all cases the reuse of Firmware, IPs, drivers, tolls amount to  
70% of R&D Effort**
  - allowing our customers to focus on their application is a positive  
trigger to the project startup.

